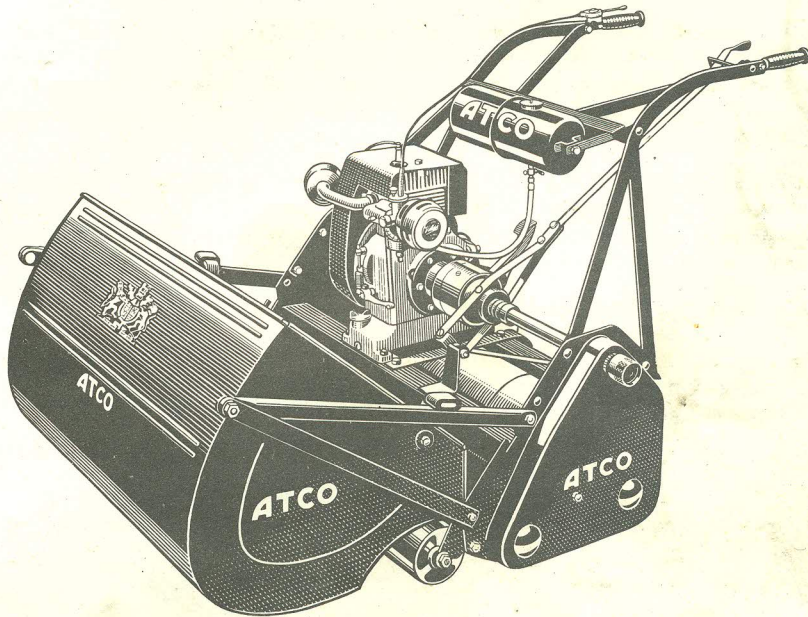


ATCO

28" Four-Stroke Model (J4)

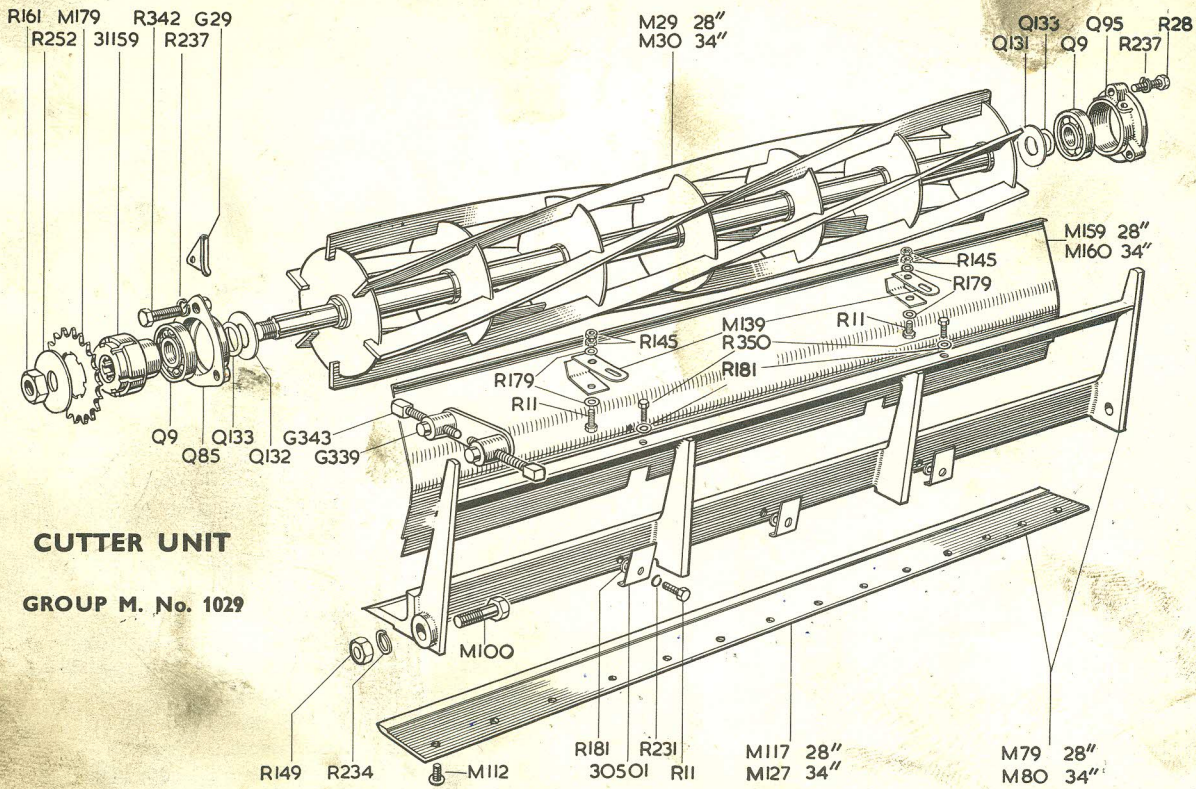
34" Four-Stroke Model (L3)

MOTOR LAWN MOWERS PARTS LIST



INDEX

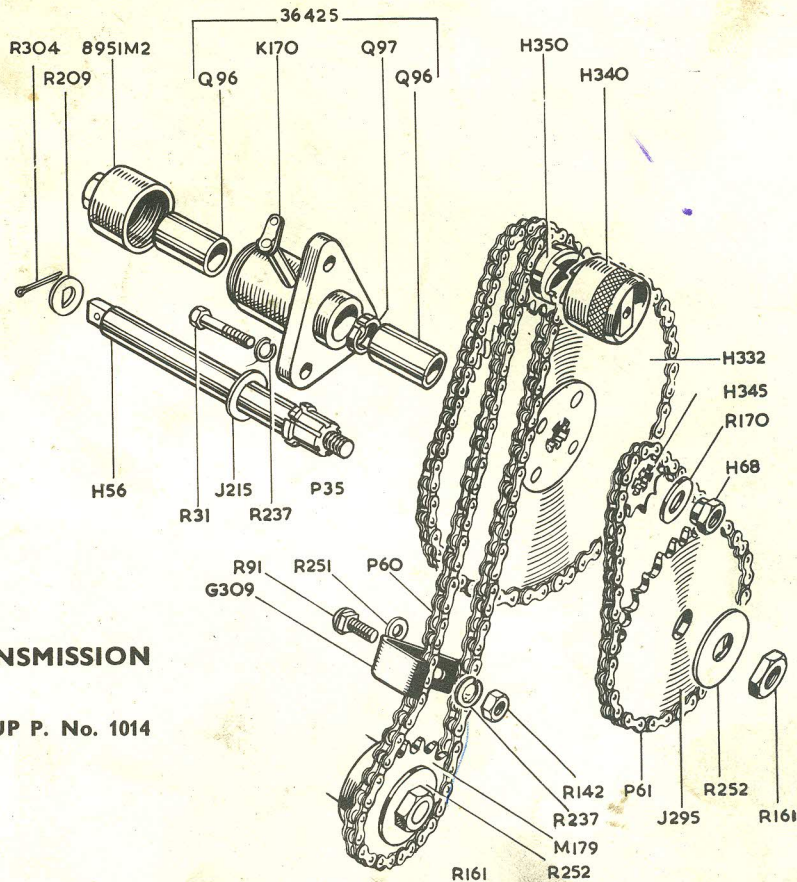
Carburettor (S.19/2) & Control	Page 8.	Front Rollers - Standard-Type ..	Page 16.
Carburettor (Lightweight)	" 6.	Front Rollers - Swivel Type	" 17.
Clutch Unit & Cutter Release	" 14.	Magneto	" 5.
Cutter Unit	" 10.	Rear Roller	" 12.
Engine	" 2.	Tools	" 19.
Fuel Tank	" 19.	Transfers	" 19.
Frame	" 18.	Transmission	" 11.



CUTTER UNIT

GROUP M. No. 1029

Part No.	Per Set	Definition	Part No.	Per Set	Definition
G.29	1	Oiler for Shaft (short).	Q.132	1	Dirt Excluding Washer L.H.
G.339	2	Adjuster Stay Assembly.	Q.133	2	Distance Washer.
G.343	4	Bottom Blade Adjuster Screw.	R.11	5	Bolt (Delivery Plate Bracket 2, Delivery Plate Locating 3).
M.29	1	Cutting Cylinder 28".	R.28	3	Bolt, Bearing Housing R.H.
M.30	1	Cutting Cylinder 34".	R.145	4	Nut, Delivery Plate Bracket.
M.79	1	Carrier with Bottom Blade 28".	R.149	2	Nut, Pivot Pin.
M.80	1	Carrier with Bottom Blade 34".	R.161	1	Nut, for Shaft L.H.
M.100	2	Pivot Pin for Carrier.	R.179	4	Plain Washer, Delivery Plate Bracket.
M.112	-	Bottom Blade Screw.	R.181	5	Plain Washer (Delivery Plate Location 3, Extension Bracket 2).
M.117	1	Bottom Blade (ground) 28".	R.231	3	Spring Washer, Delivery Plate Locating.
M.127	1	Bottom Blade (ground) 34".	R.234	2	Spring Washer, Pivot Pin.
M.139	2	Bracket Extension.	R.237	5	Spring Washer, Bearing Housing R.H.3. L.H. 2.
M.159	1	Delivery Plate 28".	R.252	1	Plain Washer for Shaft.
M.160	1	Delivery Plate 34".	R.342	3	Bolt, Bearing Housing L.H.
M.179	1	Cutter Sprocket 20T.	R.350	2	Bolt, Bracket Extension
Q.9	2	Ball Bearing.	30501	3	Delivery Plate Locating Piece.
Q.85	1	Bearing Housing R.H. (alum.).	31159	1	Boss for Chainwheel.
Q.95	1	Bearing Housing L.H.			
Q.131	1	Dirt Excluding Washer R.H.			



TRANSMISSION

GROUP P. No. 1014

Part No.	Per Set	Definition	Part No.	Per Set	Definition
G.309	1	Chain Tensioner.	P.87	-	Spring Clip 1/2" x 5/16" (not illus.)
H.56	1	Intermediate Shaft.	Q.96	2	Bush for Intermediate Housing.
H.68	1	Nut for Intermediate Shaft.	Q.97	1	Oiler Ring for Housing.
H.332	1	Intermediate Chainwheel Assembly.	R.31	3	Bolt for Housing.
H.345	1	Intermediate Sprocket.	R.91	1	Cup. sq. Bolt, Chain Tensioner.
J.215	1	Plain Washer for Shaft.	R.142	1	Nut Chain Tensioner.
K.170	1	Oiling Tube Assembly.	R.170	1	Plain Washer for Inter, Shaft.
P.35	1	Chain (Clutch to Inter.) 1/2" x 3/16" 57 Pitches.	R.209	1	'D' Washer for Inter. Shaft.
P.60	1	Chain (Clutch to Cutter) 1/2" x 5/16" 72 Pitches.	R.237	4	Spring Washer (Chain Tensioner 1, Inter Housing Bolt 3)
P.61	1	Chain (Inter to Rear Roller) 1/2" x 5/16" 44 pitches.	R.251	1	Plain Washer, Packing for Chain Tensioner.
P.76	-	Connecting Link 1/2" x 3/16" (not illus.)	R.304	1	Split Pin for Intermediate Shaft.
P.77	-	Connecting Link 1/2" x 5/16" (not illus.)	8951m2	1	Cap for Intermediate Housing.
P.83	-	Double Cranked Link 1/2" x 3/16" (not illus.)	36425	1	Intermediate Housing Assembly.
P.84	-	Double Cranked Link 1/2" x 5/16" (not illus.)			
P.86	-	Spring Clip 1/2" x 3/16" (not illus.)			

