

BRITISH ANZANI 

spare parts list

for

LAWNRIDER mk 3

18" & 24"

BRITISH ANZANI ENGINEERING CO. LTD.
AYLESFORD MAIDSTONE KENT TEL.-MAIDSTONE 77641

FOREWORD

The information contained in this book covers the specification for machines manufactured during 1964-1965. Additional information for machines manufactured in 1966 will be included at the end of this book when available.

All Spares Orders and queries should be addressed to:-

*The Service Manager,
The British Anzani Eng. Co. Ltd.,
Aylesford,
MAIDSTONE,
Kent.*

Telephone No. MAIDSTONE 77641

HOW TO USE THIS BOOK

To identify a component, first find the relevant assembly as listed below, this will give you a Group letter and Page No. to turn to. The illustration at the beginning of this group will then enable you to identify the component you require and give you a reference No. Against this reference No. in the parts List will be found a description of the component and its Part No.

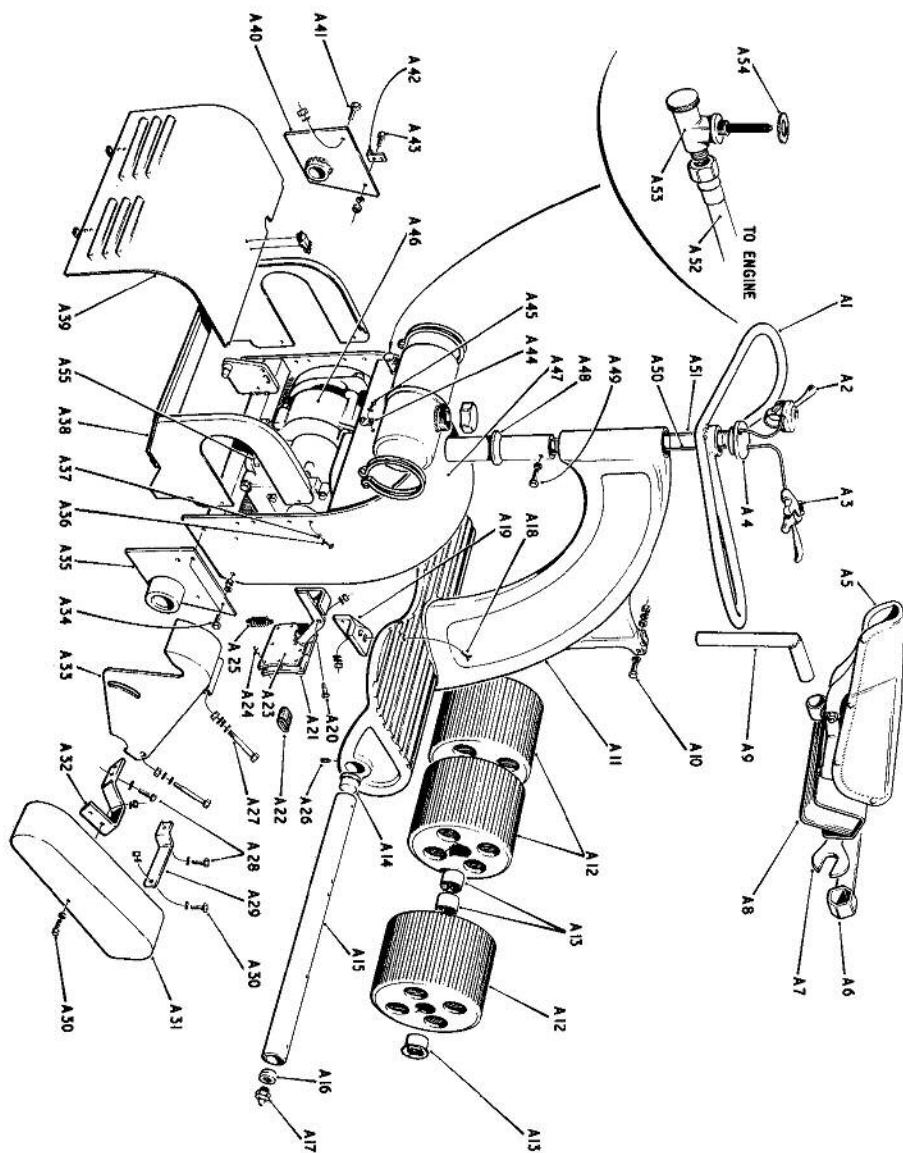
This description and Part No. together with the Serial No. of the machine should be quoted on ALL Spares Orders.

ENGINE SPARE PARTS

Parts should be ordered direct from the Engine Manufacturer from the Spares Manual supplied with this machine.

LIST OF ILLUSTRATIONS

- GROUP A. Main Frame & Guards. Page 2.
GROUP B. Drive Assembly. Page 5.
GROUP C. Cutter Box Assembly. Page 8.*

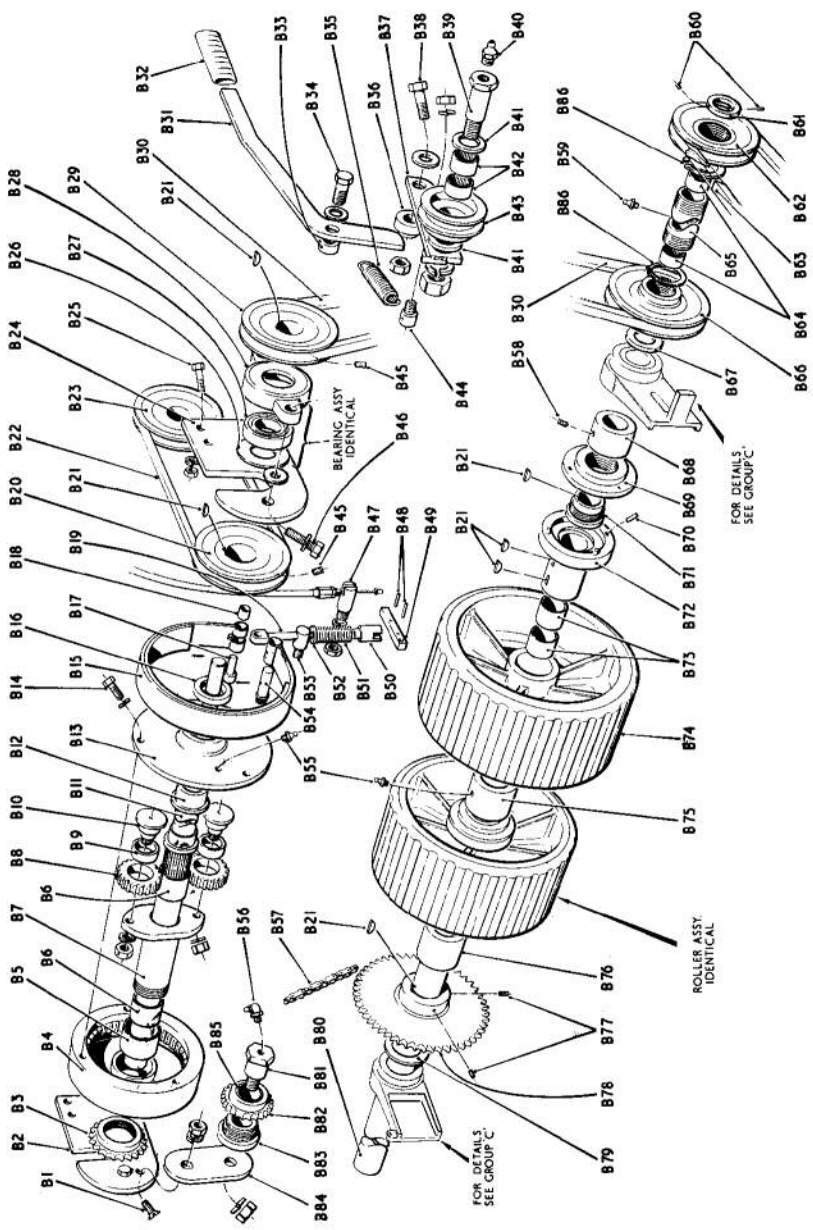


Main Frame & Guards

REF NO.	QTY	DESCRIPTION	PART NO.
A1	1	STEERING HANDLE	M.846
* A2	1	THROTTLE CONTROL LEVER	
A3	1	CLUTCH CONTROL LEVER	M.794
A4	1	GROMMET	M.963
A5	1	SADDLE	M.709
A6	1	PLUG SPANNER	M.715
A7	1	OPEN END SPANNER	M.712
A8	1	SADDLE BAG	M.710
A9	1	SADDLE PILLAR	M.714
A10	1	BOLT	B.0245
	2	WASHER, PLAIN	W.1785
	1	WASHER SPRING	W.1801
	1	NUT	N.0829
A11	1	BACKFRAME BODY	M.701
A12	3	REAR ROLLER	M.703
A13	6	REAR ROLLER BEARING	M.988
A14	1	AXLE PLUG	M.1197
A15	1	REAR ROLLER AXLE	M.702
A16	1	AXLE PLUG	M.957
A17	1	GREASE NIPPLE	G.0629
A18	2	SCREW	S.1467
	2	WASHER SPRING	W.1799
	2	WASHER PLAIN	W.1784
	2	NUT	N.0828
A19	1	BRAKE LEVER ANGLE	M.942
A20	1	BOLT	B.02566
	1	WASHER PLAIN	W.1785
	1	NUT	N.0829
A21	1	BRAKE LINING	F.0613
A22	1	PLASTIC GRIP	G.0632
A23	1	BRAKE LEVER ASSY.	M.938
A24	9	RIVET	R.1078
A25	1	TENSION SPRING	S.1652
A26	2	AXLE LOCKING SCREW	S.1486
A27	2	BOLT	B.02567
	2	WASHER SPRING	W.1798
	2	NUT	N.0827
A28	3	BOLT	B.0296
	3	WASHER SPRING	W.1798
A29	1	VEE BELT GUARD BRACKET (24°)	M.953
	1	VEE BELT GUARD BRACKET (18°)	M.954
A30	3	BOLT	B.0244
	3	WASHER SPRING	W.1798
	3	WASHER PLAIN	W.1782
	3	NUT	N.0827
A31	1	VEE BELT GUARD	M.950
A32	1	VEE BELT GUARD BRACKET (24°)	M.951
	1	VEE BELT GUARD BRACKET (18°)	M.952
A33	1	JOCKEY PULLEY GUARD	M.992
A34	2	BOLT	B.0224
	2	WASHER SPRING	W.1799
	2	NUT	N.0828
A35	1	SIDE PLATE ASSY (L.H.)	M.808
A36	4	SET SCREW	S.1586
A37	4	WASHER PLAIN	M.991
A38	1	FRONT GUARD	M.949
A39	1	FRONT HINGED GUARD	M.994
	1	TOGGLE CLIP	S.1667
A40	1	SIDE PLATE ASSY. (R.H.)	M.807

Group A

REF NO.	QTY	DESCRIPTION	PART NO.
A41	1	BOLT	B.0254
	1	WASHER SPRING	W.1799
	1	NUT	N.0828
A42	1	LIFTING PEDAL BRACKET	M.882
A43	1	BOLT	B.0225
	1	WASHER SPRING	W.1799
	1	NUT	N.0828
A44	1	TOGGLE CATCH PLATE	M.995
A45	1	BOLT	B.0244
	1	WASHER SPRING	W.1798
A46	1	ENGINE	M.733
A47	1	FRONT FRAME ASSY.	M.721
A48	1	THRUST BEARING WASHER	M.797
A49	2	BOLT	B.0224
	2	WASHER PLAIN	W.1784
	2	NUT	N.0828
A50	1	CLUTCH CONTROL CABLE	M.932
* A51	1	THROTTLE CONTROL CABLE	
* A52	1	PETROL PIPE	
* A53	1	PETROL TAP	
* A54	1	FIBRE WASHER	
A55	4	BOLT	B.02565
	4	WASHER PLAIN	W.1784
	4	WASHER SPRING	W.1799
	4	NUT	N.0828
<p>* See <i>Engine Manufacturers Handbook.</i></p>			

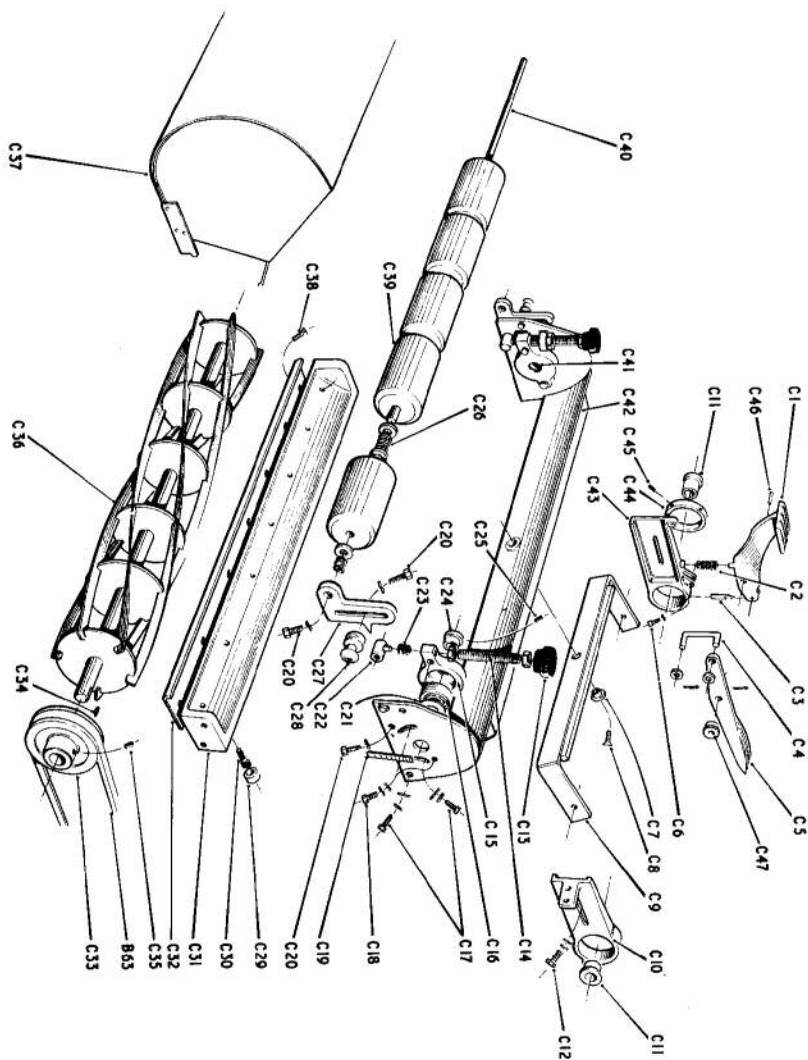


Drive Assembly

Group B

REF NO.	QTY	DESCRIPTION	PART NO.
B1	1	SCREW	S.1467
	1	WASHER SPRING	W.1799
	1	NUT	N.0828
B2	1	HEADSTOCK EXTENSION R.H	M.799
B3	1	CYLINDER DRIVE SPROCKET	M.806
B4	1	GEAR RING	M.752
B5	1	BEARING	M.757
B6	2	PLANET CARRIER BUSH	M.756A
B7	1	PLANET CARRIER	M.756
B8	2	PLANET WHEEL	M.753
B9	2	PLANET WHEEL BUSH	M.759
B10	2	PLANET WHEEL PIN	M.754
	2	NUT	N.0829
	2	WASHER SPRING	W.1801
B11	1	MAIN DRIVE SHAFT	M.891
B12	1	SIDE PLATE BUSH	M.758
B13	1	SIDE PLATE	M.761
B14	3	BOLT	B.0247
	3	WASHER SPRING	W.1798
B15	1	CLUTCH BAND	M.781
	1	CLUTCH BRAKE LINING	M.782
B16	1	OIL SEAL	O.0903
B17	1	RETAINING PIN	M.786
	1	SPLIT PIN	P.0945
B18	1	CLUTCH BAND BUSH	M.784
B19	1	CLUTCH ADJUSTING BOLT	M.785
B20	1	VEE PULLEY	P.0982
B21	9	KEY	M.771
B22	1	VEE BELT	B.01412
B23	1	VEE PULLEY	P.0987
B24	1	HEADSTOCK EXTENSION L.H.	M.800
B25	4	BOLT	B.0247
	4	WASHER SPRING	W.1798
	4	NUT	N.0827
B26	2	GREASE RETAINING WASHER	M.821
B27	2	BALL RACE	M.818
B28	2	BEARING HOUSING	M.819
	1	BLANKING SHIM R/H ONLY	M.877
B29	1	VEE PULLEY	P.0981
B30	1	VEE BELT	B.01411
B31	1	JOCKEY PULLEY LEVER	M.803
B32	1	RUBBER GRIP	M.764
B33	1	LEVER DISTANCE PIECE	M.804
B34	1	BOLT	B.02565
	2	WASHER PLAIN	W.1784
	1	NUT	N.0828
B35	1	SPRING	S.1652
B36	1	JOCKEY ARM SPACER	M.900
B37	1	JOCKEY PULLEY ARM.	M.896
B38	1	BOLT	B.0245
	1	WASHER PLAIN	W.1785
	1	NUT	N.0829
B39	1	JOCKEY PULLEY SPINDLE	M.898
	1	WASHER SPRING	W.1802
	1	NUT	N.0831
B40	1	GREASE NIPPLE	G.0629
B41	2	WASHERS OILITE	B.0122
B42	2	NEEDLE ROLLER BEARING	B.0137
B43	1	JOCKEY PULLEY	M.899
B44	2	SPRING RETAINER	M.895
	2	WASHER SPRING	W.1798
	2	NUT	N.0827

REF NO.	QTY	DESCRIPTION	PART NO.
B45	2	ALLEN SCREW	S.1508
B46	4	BOLT	B.0266
	4	WASHER SPRING	W.1801
	4	WASHER PLAIN	W.1785
B47	1	CLUTCH CABLE ANCHOR PIN	M.933
	1	WASHER SPRING	W.1798
	1	NUT	N.0827
B48	2	GROOVE PIN	932815-1
B49	1	CLUTCH OPERATING LEVER	M.789
B50	1	CLUTCH ADJUSTING FORK END	M.792
B51	1	SPRING	M.791
B52	1	SPRING LOCATING WASHER	M.787
B53	1	ADJUSTING BOLT GUIDE PIN	M.731
	1	WASHER SPRING	W.1799
	1	NUT	N.0828
B54	1	CLUTCH ANCHOR PIN	M.793
	1	WASHER SPRING	W.1799
	1	NUT	N.0828
	1	SPLIT PIN	P.0946
B55	2	GREASE NIPPLE	G.0627
B56	1	GREASE NIPPLE 90	G.0626
B57	1	CHAIN	M.739
	1	SPRING LINK	M.738
B58	1	ALLEN SCREW	S.1486
B59	1	GREASE NIPPLE	G.0629
B60	3	ALLEN SCREW	S.1406
B61	1	LOCKRING L.H.	M.866
B62	1	CYLINDER DRIVE PULLEY	M.831
B63	1	VEE BELT	M.833
B64	2	NEEDLE ROLLER BEARINGS	B.0139
B65	1	PULLEY BEARING HOUSING (24")	M.863
	1	PULLEY BEARING HOUSING (18")	M.947
B66	1	CYLINDER DRIVE PULLEY	M.830
B67	1	BEARING HOUSING SPACER	M.870
B68	1	ROLLER SPACER L.H.	M.862
B69	2	RATCHET	R.1082
B70	8	RATCHET PIN	M.868
B71	2	RATCHET HUB	M.867
B72	2	RATCHET PLATE	M.869
B73	4	RATCHET PLATE BUSH	B.0128
B74	2	FRONT ROLLER	M.778
B75	1	CENTRE ROLLER SPACER	M.861
B76	1	ROLLER SPACER R.H.	M.860
B77	2	ALLEN SCREW	S.1529
B78	1	SPROCKET 42T	M.768
B79	1	SPROCKET SPACER	M.859
B80	1	FRONT ROLLER AXLE (24")	M.864
	1	FRONT ROLLER AXLE (18")	M.948
B81	1	JOCKEY SPINDLE	M.935
	1	WASHER SPRING	W.1799
	1	WASHER PLAIN	W.1784
	1	NUT	N.0828
B82	1	JOCKEY SPROCKET	M.872
B83	1	SPROCKET ADAPTOR	M.936
B84	1	JOCKEY SPROCKET ARM	M.996
B85	1	BUSH	B.01291
B86	2	EXTERNAL CIRCLIP	C.0491



Cutter Box Assembly

REF NO.	QTY	DESCRIPTION	PART NO.
C1	1	RELEASE PEDAL	M.740
C2	1	RELEASE PEDAL SPRING	M.741
C3	1	RELEASE PEDAL PIN	M.744
C4	1	CONNECTING LINK	M.746
	2	SPLIT PIN	P.0945
	2	WASHER PLAIN	W.1782
C5	1	LIFTING PEDAL	M.726
C6	1	BOLT	B.0247
	1	WASHER SPRING	W.1798
C7	1	THRUST PLATE SWIVEL PIN	M.837
C8	1	SOCKET SCREW	M.886
C9	1	CUTTER BOX THRUST PLATE	M.820
C10	1	LIFTING PIVOT L.H.	M.745
C11	2	SIDEPLATE BUSH	M.988
C12	2	BOLT	B.0266
	2	WASHER PLAIN (HEAVY DUTY)	W.1792
	2	WASHER SPRING	W.1801
C13	2	KNOB	K.0755
C14	2	STUD	M.822
	4	LOCKNUT	N.0847
C15	1	CYLINDER BEARING HOUSING	M.125/25B
C16	2	CYLINDER BEARING	M.818
C17	4	BOLT	B.0298
	4	WASHER PLAIN	W.1784
	4	WASHER SPRING	W.1799
C18	4	BOLT	B.0232
	4	WASHER PLAIN	W.1785
	4	WASHER SPRING	W.1801
C19	2	HEIGHT NUMBER PLATE	M.824
C20	6	BOLT	B.0224
	6	WASHER SPRING	W.1799
C21	2	GREASE RETAINING WASHER	M.821
C22	2	SPRING RETAINER	M.798
C23	2	COMPRESSION SPRING	S.1657
C24	2	DISTANCE PIECE	M.817
C25	2	GRUB SCREW	S.1593
C26	6	SPACER SPRING (24")	
	5	SPACER SPRING (18")	M.829
	10	WASHER PLAIN (24")	
	8	WASHER PLAIN (18")	W.1787
C27	2	WOODEN ROLLER ADJUSTER	M.827
C28	2	ROLLER AXLE ADJUSTER	M.840
C29	2	BUFFER	M.946
C30	2	BOLT CAP HEAD	M.839
C31	1	SOLE PLATE (24")	M.959
	1	SOLE PLATE (18")	M.960
C32	1	BOTTOM BLADE (24")	M.813/24
	1	BOTTOM BLADE (18")	M.813/18
C33	1	CUTTER BOX PULLEY	P.0987
C34	1	KEY	M.771
C35	1	ALLEN SCREW	S.1509
C36	1	CUTTING CYLINDER (24")	M.810
	1	CUTTING CYLINDER (18")	M.836
C37	1	GRASS BOX ASSY. (24")	M.987
	1	GRASS BOX ASSY. (18")	M.979
C38	7	SCREW (24)	S.1468
	5	SCREW (18)	S.1468
C39	5	WOODEN ROLLER (24")	M.826
	4	WOODEN ROLLER (18")	M.826

Group C

REF NO	QTY	DESCRIPTION	PART NO.
C40	1	WOODEN ROLLER AXLE (24")	M.825/24
	1	WOODEN ROLLER AXLE (18")	M.825/18
C41	1	CYLINDER BEARING HOUSING	M.125/25A
C42	1	CUTTING BOX ASSY. (24)	M.973
	1	CUTTING BOX ASSY.(18)	M.974
C43	1	LIFTING PIVOT R.H.	M.727
C44	1	LOCKRING R.H.	M.858
C45	3	ALLEN SCREW	S.1443
C46	1	GROVELOCK PIN	M.760
C47	1	FULCRUM SPACER	M.934

PRODUCED BY MEDWAY GRAPHIC ART STUDIO
PRINTED BY E.R. TUOHY LTD. SNODLAND

